

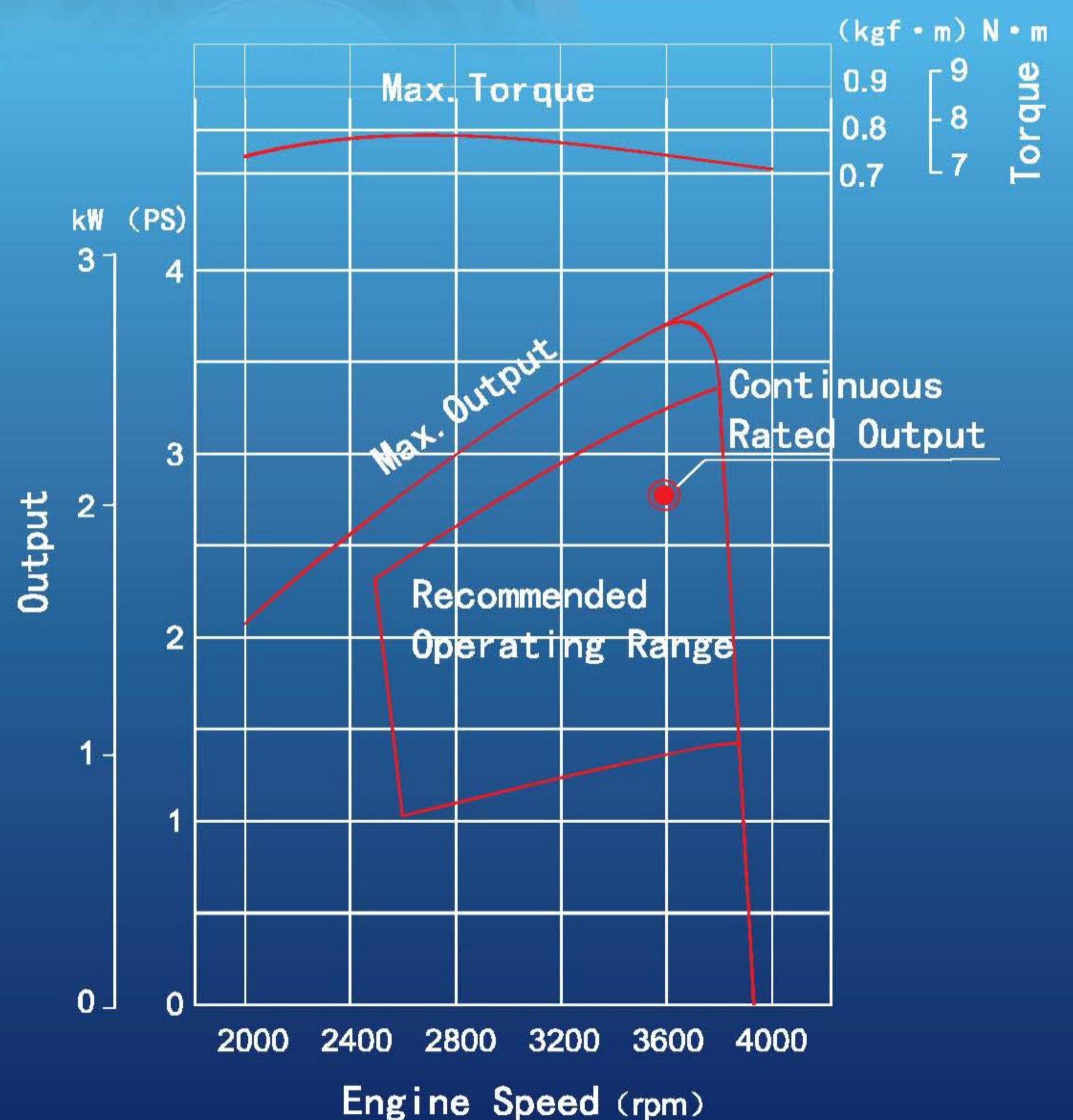
GT400



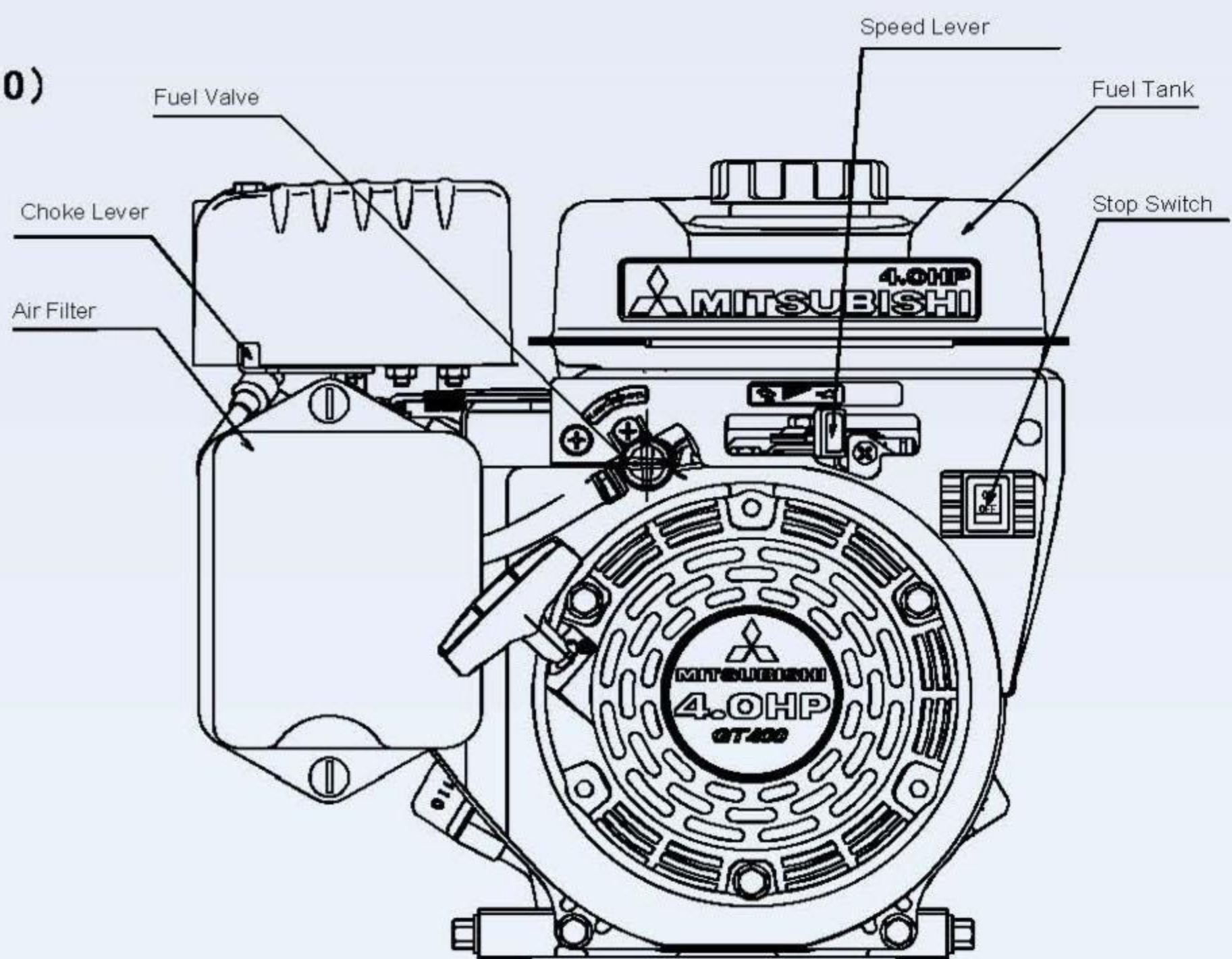
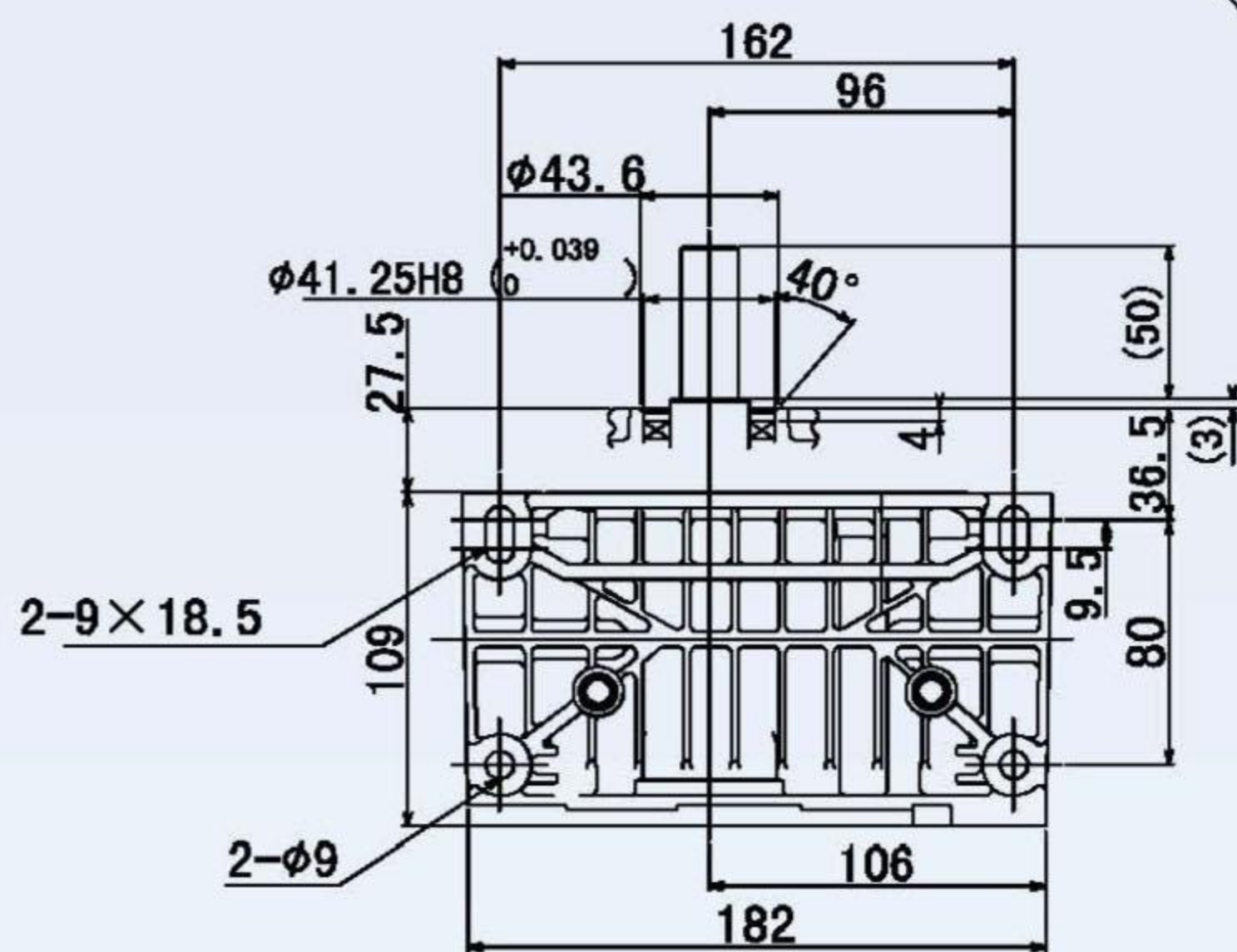
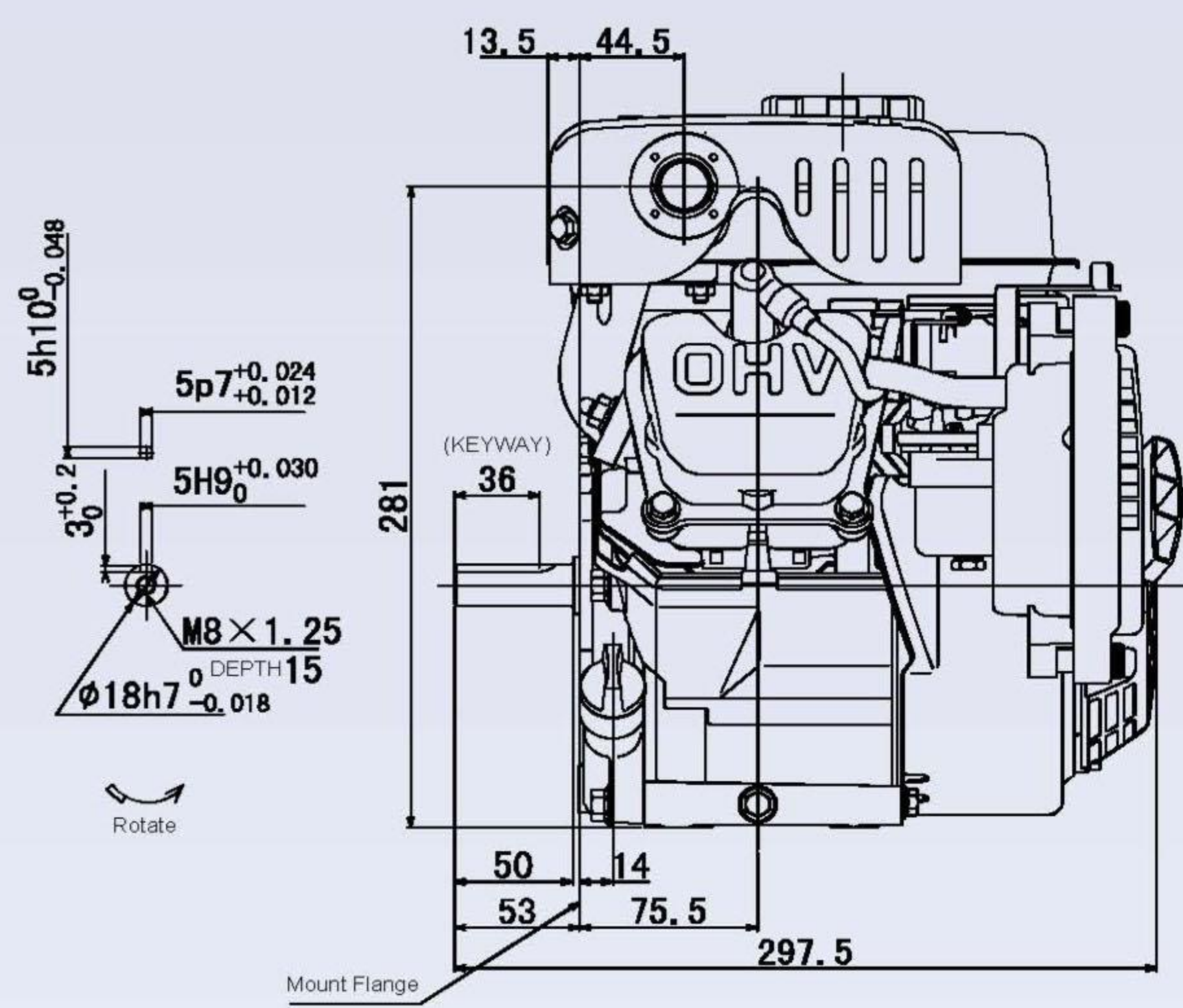
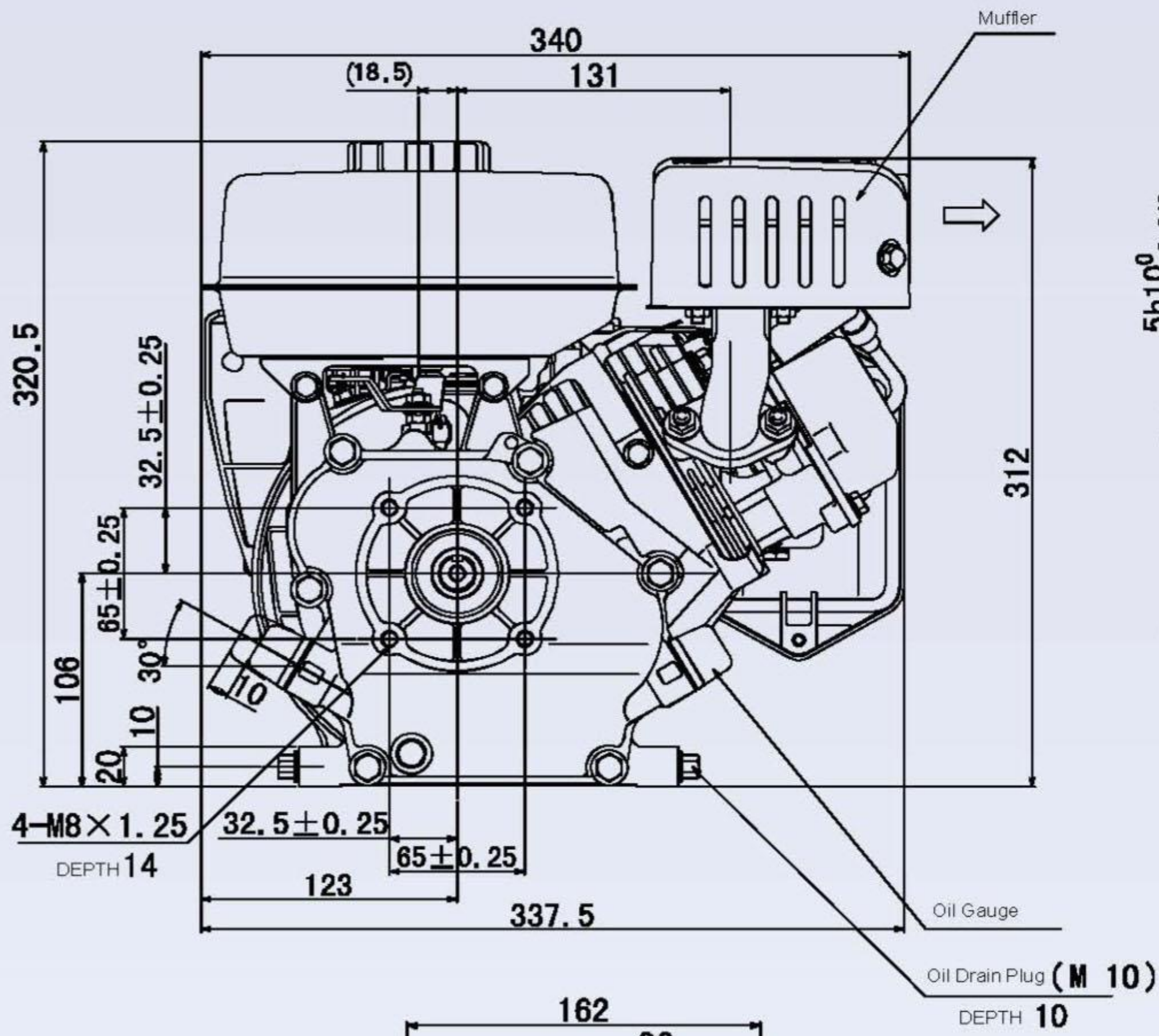
SPECIFICATION

ITEM	GT400
Type	OHV, 4 Stroke, Air cooled
Bore×Stroke	62×42 mm
Displacement	126 cm ³
Continuous Rated Output	2.1/3600 kW/rpm <2.8/3600 PS/rpm>
Maximum Output	2.9 kW <4.0 PS>
Maximum Torque	7.65/2800 N·m/rpm <0.78/2800 kgf·m/rpm>
Fuel	Unleaded Automobile Gasoline
Fuel Tank Capacity	2.5 L
Lubricating Oil	Engine Oil SD Class or Higher
Lubricating Oil Capacity	0.6 L
Starting System	Manual Starter
Ignition System	Breakerless Ignition Type
Air Cleaner	Polyurethane Type [or Oil Bath type]
Governor System	All Speed Mechanical Governor
PTO Shaft Rotation	Counter-Clockwise [facing PTO]
Weight	12.7(PN) 13.7(LN) kilograms
Dimensions	L: 306 mm W: 345 mm H: 320 mm

PERFORMANCE CURVE



DIMENSIONS



PTO SHAFT TYPE

GT400	JIS (with JIS Mount Flange)	SAE (with SAE Mount Flange)
KEYWAY (General)		
PUMP		
TAPER (Generator)		