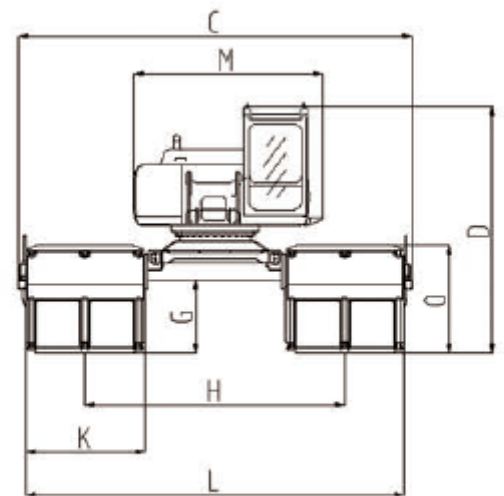
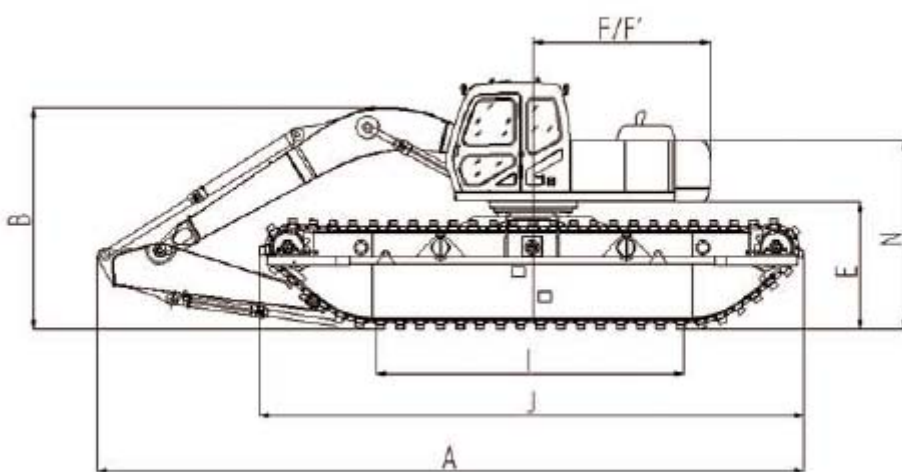
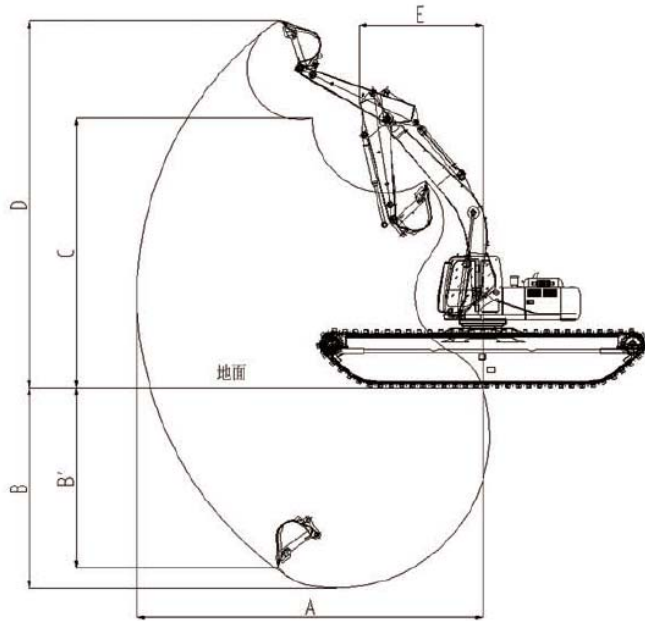


ZY210SD Amphibious Excavator Specification

Specification		ZY210SD	ZY210SD-1	ZY210SD-2	ZY210SD-3	ZY210SD-4
A: Overall Length	mm	10502	10747	11356	12935	14330
B: Overall Height (Boom Top Point)	mm	3390	3372	3372	3296	3575
C: Overall Length	mm	5365	5982	5982	5982	5982
D: Height (Cabin Top Point)	mm	3938	3872	3872	3872	3872
E: Platform Ground Clearance	mm	2006	1940	1940	1940	1940
F: Tail Length	mm	2800	2800	2800	2800	2800
G: Min. Ground Clearance	mm	1192	1126	1126	1126	1126
H: Track Gauge	mm	3643	3950	3950	3950	3950
I: Track Length(Part on the ground)	mm	4393	4697	5916	5916	5916
J: Track Length	mm	8083	8249	9502	9502	9502
K: Track Width	mm	1508	1814	1814	1814	1814
L: Undercarriage Width	mm	5133	5750	5750	5750	5750
M: Upperstructure Width	mm	2867	2867	2867	2867	2867
N: Cabin Height	mm	2932	2866	2866	2866	2866
O: Track Height	mm	1718	1652	1652	1652	1652
Track Chain No	set	2	3	3	3	3
Operating weight	Kg	26000	30000	32000	34000	36000
Boom Length	mm	5680	5680	5680	7200	8606
Arm Length	mm	2910	2910	2910	4515	6260
Bucket Capacity	m3	0.9	0.9	0.9	0.5	0.5





Part Name	Brand	Original Imported Model
Engine	Isuzu from Japan	AA-6BG1TRP-03
Pump	Doosan from Korea	T5V112DP-1XDR-HN 1M(MBEB272)
Valve	Parker from Korea	AV280
Slew Motor	Jeil from Korea	22SM1510117
Travel Motor	Doosan from Korea	TM40VC-103/168 for ZY210SD and TM60VC-120/195 for ZY210SD-1,-2,-3,-4

Working Ranges		ZY210SD	ZY210SD-1	ZY210SD-2	ZY210SD-3	ZY210SD-4
A: Max. Digging Reach	mm	9925	9925	9925	12500	15500
B:Max. Digging Depth	mm	5704	5752	5752	7441	10796
B' :Max. Vertical Digging Depth	mm	5125	5189	5189	6905	10340
C:Max. Dumping Height	mm	7810	7748	7748	10810	11947
D:Max Digging Height	mm	10577	10514	10514	13062	14159
E:Frount slew Radius	mm	3554	3554	3554	3160	4871
F' :Rear Slew Radius	mm	2828	2828	2828	2828	2828