



Track Excavator

230E

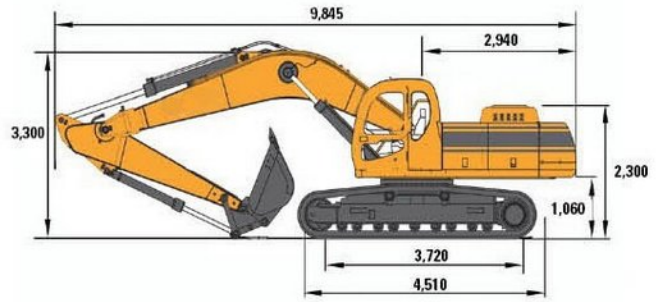
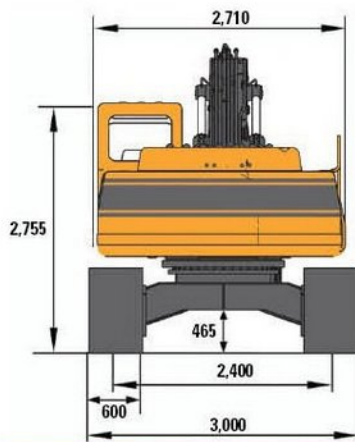
- Operating Weight (Ton) 23
- Standard Bucket Capacity (m³) 1
- Engine Power 126kW (172hp) @ 2,100rpm



Offering stable operations, even when the grounds are unstable

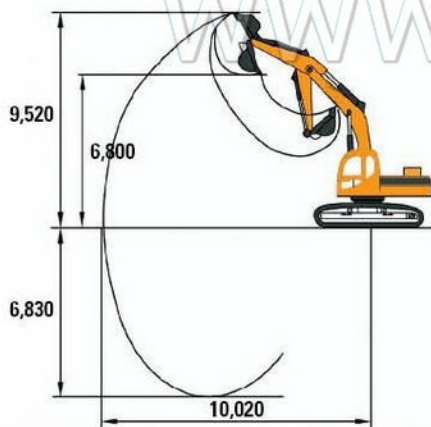
One of the most versatile excavators in the market, the 230E is a sturdy and reliable general to heavy excavation machine that holds its ground over a wide array of terrains. From muddy riverbanks to gravel filled grounds, you will find this powerful workhorse a good all-rounder for just about any application.





SPECIFICATIONS

Operating Weight (Tons)	23	Hydraulic Component	Well-known Brands
Standard Bucket Capacity (m ³)	1	Max Hydraulic Flow (L/min)	2 X 235
Diesel Engine	Cummins	Max Working Pressure (MPa)	30
Engine Model	6BTA5.9-C	Travel Speed (km/h)	3-5
Engine Power (kW)	126kW (172hp) @ 2,100rpm	Grade Climbing Capacity (%)	65
Arm/Stick Digging Force (kN)	100	Slewing Speed (r/min)	13
Bucket Digging Force (kN)	130	Ground Pressure (kPa)	45



APPLICATIONS



OPERATING SCOPE

Arm/Stick Length (mm)	3,000
Maximum Cutting Height (mm)	9,520
Maximum Dumping Height (mm)	6,800
Maximum Dumping Depth (mm)	6,830
Maximum Reach (mm)	10,020

Note: Specifications are subject to change by the manufacturer without prior notice.