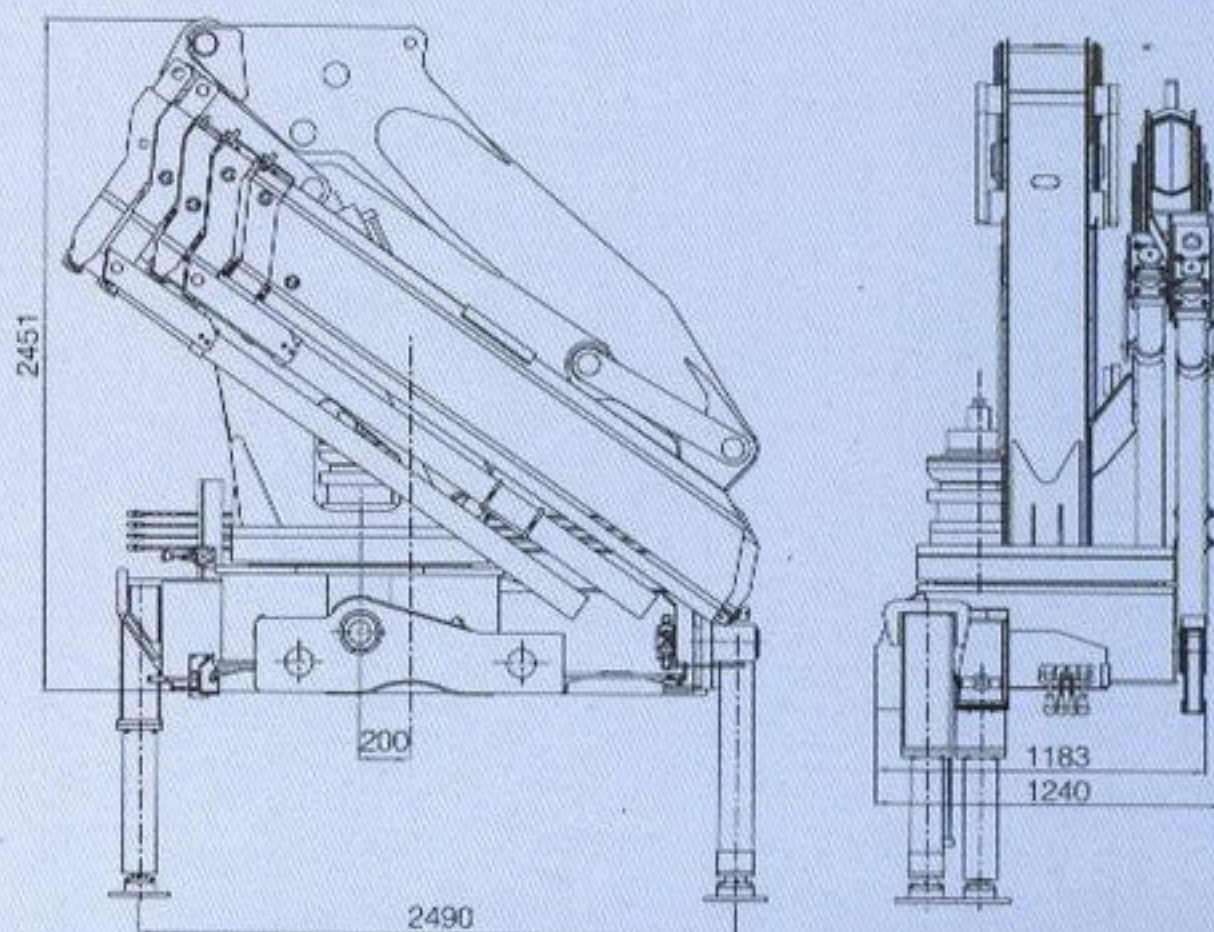


## 起重机外形尺寸 CRANE OUTSIDE MEASUREMENT

单位: mm



## 主要特点 MAIN FEATURE

- 1、支腿油缸软管内藏设计: 支腿油缸内置设计, 有效地保护了软管, 提高整车外观的美观性;
- 2、全回转技术: 可使整车回转操作自如, 提高工作效率, 克服了齿条回转不连续性带来的作业不便;
- 3、全车安全液压阀锁: 在保持整车稳定、保持重物负载及使操纵平缓等作业需求上大量采用液压阀锁技术, 使作业更安全舒适;
- 4、可选配力矩限制装置: 整车可选用电气力矩限制装置, 满足更高标准的要求, 使作业更安全, 有效地保护操作者及设备;
- 5、总体设计更具人性化, 外观更时尚。

1. Tube of leg cylinder hidden, cylinder of leg designed inside, can protect tube effectively, improve appearance of the crane.
2. All rotation technology, make rotate smoothly, improve efficiencies, overcome uncontinuity bring by rockworks.
3. Equipped with hydraulic valve lock, make work safely, keep load effectively and operating comfortably.
4. Equipped with moment limit device optionally, it can satisfy your more request, make work safely, can protect operator and device effectively.
5. Designed humanisticly, appearance is more fashionable.



# SQ14ZK4Q

## SQ14ZK4Q起重机主要技术参数

## MAIN SPECIFICATION

型号	Model	SQ14ZK4Q	单位unit
最大起升质量	Max Lifting Capacity	14000	kg
最大起重力矩	Max Lifting Moment	35	T.M
推荐功率	Recommend Power	32	kw
液压系统最大流量	Max Oil Flow Of Hydraulic System	63	L/min
液压系统额定压力	Rated Pressure Of Hydraulic System	31.5	Mpa
油箱容积	Oil Tank Capacity	220	L
回转角度	Rotation Angle	全回转	All Rotation
起重机自重	Crane Weight	4467.9	kg
安装空间	Installation Space	1400	mm
起升质量/工作幅度	Lifting Capacity/Working Radius	14000/2.50	kg/m
		8400/4.05	
		5478/5.83	
		4080/7.65	
		3148/9.52	
最大工作幅度	Max Working Radius	11.40	m
最大起升高度	Max Working Height	13.80	m

上述参数为改装后参数, 更多配置底盘请咨询当地销售经理。

The above parameters are for refitted models, for more chassis options for refitting sake please consult the local sales manager.