



徐工徐工 助您成功  
XCMG FOR YOUR SUCCESS

# XE1250/1250G 矿用挖掘机

## XE1250/1250G MINING HYDRAULIC EXCAVATOR



- 铲斗容量 Bucket Capacity ( m<sup>3</sup> ) : **5.2-8.5**
- 操作重量 Operation Weight ( kg ) : **115000**
- 额定功率 Output power ( kW/rpm ) : **567/1800**

# 更节能环保

## More energy-conservation and environmental protection

- 原装进口康明斯发动机，动力强悍，挖掘更高效。低排放，低噪音；大大减少对环境的危害；同级别产品中强大的挖掘力、回转力和牵引力，保证机器快速高效工作。坚固耐用、油耗低，可满足所有应用需求。融合了久经考验、坚固耐用的部件和精密的制造工艺，拥有更高的可靠性和高效性。XE1250G采用的QSK23 T4F发动机更加环保，能够满足北美Tier 4F和欧洲StageV排放标准。

Imported Cummins engine with original packing has features of powerful force and high efficiency. Low noise and low emission can greatly reduce the pollution to the environment. Compared with other brands of the same level, it has greater digging force, rotary force, rotary force and traction force, which can ensure that the machine can work quickly and efficiently. It can meet all the application requirements. Blending with proven, sturdy and durable parts and delicate manufacturing process, higher reliability and efficiency can be achieved. The QSK23 T4F engine adopted by the XE1250G is more environmentally friendly and can meet the North American Tier 4F and European StageV emission standards.



# 更高效回报

## More efficient return

- 原装国际知名品牌液压系统，高品质液压原件完美匹配。高效节能高端配置，保证产品质量；采用国际先进、成熟可靠的负流量控制系统，通过三泵合流，增加多路阀分配给各动作油缸的流量，为设备整机提供更强大的挖掘能力，保证高效率作业。

Imported hydraulic system of international famous brands is matched with high-quality hydraulic elements perfectly; high-efficient and energy-saving high-end configurations ensure the good quality of the product. By use of mature and reliable negative flow control system, the flow distribution is provided by multi-port valve to all acting cylinders through the three pump converging, whereby the powerful digging ability and excellent working performance are maintained.



- 燃油双级过滤，初级为金属滤芯，可重复利用。  
Fuel dual-level filtration, and the primary is a metal filter, which can be reused.
- 高品质集成化电气系统，指标更高，电气集中控制，设计更简洁，系统更可靠。  
High quality integrated electric system, with higher indicator and electric centralized control, the design is more concise and the system is more reliable.
- 原装国际知名品牌铝制散热器，优化匹配，散热效果更佳。满足机器更长时间工作能力。独立散热系统，更好保证机器的可靠性。  
The original aluminum radiator of international famous brands with optimal matching has better cooling effect and meets the requirements of working for much longer time. Independent cooling system can guarantee the reliability of the machine.



## 更可靠耐用 More reliable and durable

- 强化动臂、斗杆设计，重要部位采用一体化铸钢件，通过结构优化，减少应力集中，确保恶劣工况下的设备可靠性。

With boom and arm reinforced and key parts adopted with integration steel casting. Through structural optimization, stress concentration is reduced to ensure equipment reliability under severe conditions.



- 标配重载岩石型铲斗，采用高强度钢板，切削部位加强设计，坚实耐磨，大大提高使用寿命。

Standard heavy-load rock bucket, adopting the high strength steel and with cutting parts reinforced, is sturdy and durable enough to prolong the service life greatly.



- 轴套采用先进工艺制造，大大提高强度及耐磨性，销轴采用强化处理，增加其抗疲劳能力。

Axle sleeve adopts advanced technology to greatly improve the strength and durability. The pin roll adopts the reinforced treatment to improve its anti-fatigue ability.

- 加强型底盘装置，重心低，强度高，工作稳定性更好；采用整体式重型夹轨器，防护效果更佳，使用寿命更长。

Reinforced chassis device featured with high strength and low gravity guarantees better work stability; cooperating with integral heavy type rail clamping device can get better protective effect and longer service life.



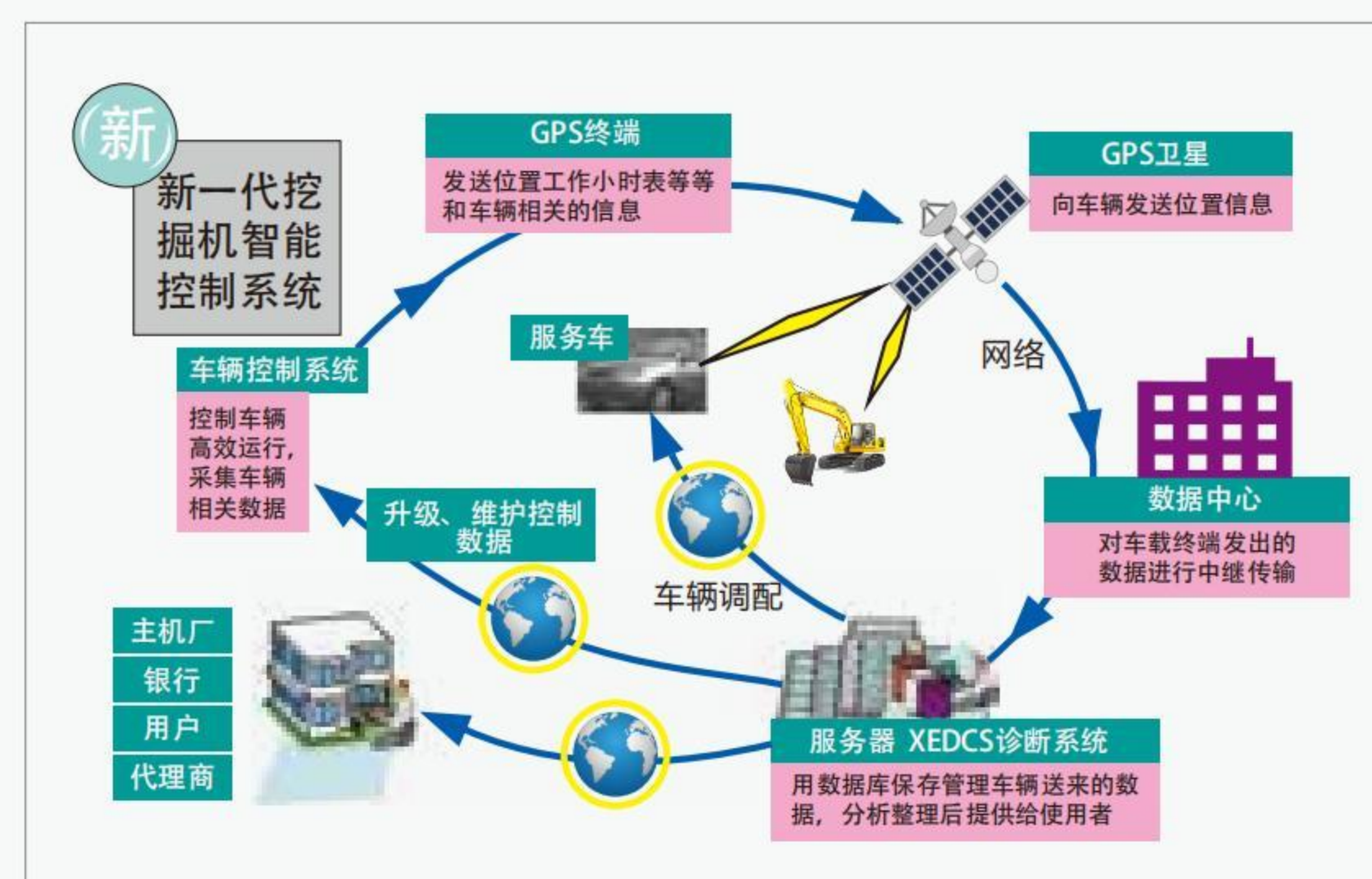
# 更智能管控

## More intelligent management and control

- 先进的XEICS徐工挖机智能管理系统，采用CAN总线通讯和物联网技术，集主控制系统、发动机ECM、监控系统、操控面板、GPS云控系统和现场诊断系统，实现机器信息数字化共享，提高产品智能化水平。便捷的手机APP微服务，随时随地掌握挖机的位置、作业状况、工作时间、燃油消耗、保养周期。

Advanced XEICS XCMG excavator intelligent management system adopts the CAN bus communication and technology of Internet of Things, which can integrate the main control system, engine ECM, monitor system, control panel, GPS cloud control system and on-site diagnosis system and thus achieve the digital share of machine data, improve

the intelligent level of product. With convenient micro service of mobile phone APP, information of location, operation conditions, working hours, fuel consumption and maintenance period can be known at any time and any place.



- 控制系统可根据用户设定，自动调整主泵输出功率，当车辆在高海拔地区施工时，发动机功率下降，用户可调整主泵输出功率比例，实现主泵与发动机的匹配。

The control system can automatically adjust the output power of the main pump according to user settings. When the vehicle is working in high altitude areas and the engine power drops, the user can adjust the output power ratio of the main pump to match the main pump with the engine.

- 配置自动集中润滑系统（铲斗部分除外），自动加注润滑油脂，减少人体劳动强度。

Equipped with an automatic centralized lubrication system (except the bucket), which automatically fills grease to reduce manual costs.

# 更舒适安全

## More comfortable and safe

- 大视野全新驾驶室，噪音更低，操作环境更舒适。顶部采用FOPS护罩，玻璃采用夹胶玻璃，提高操作者的安全性。

Brand-new cab with large view, the noise will be reduced, the operating environment is more comfortable. FOPS shield is adopted for the top of cab and laminated glass is adopted for glass to improve the safety of operator.

- 大功率空调，制冷效果更好。集成化控制面板，操控更舒适。

Air-conditioner has better cooling effect. With integrated control panel, the operation is more comfortable.



- 高档悬浮式高靠背座椅，符合人机工程学设计，使各项操作轻松、易控，提高驾驶舒适性。

Luxury suspension seat with original packing is designed on the basis of ergonomics concept, making each operation easy to be done and controlled and the operation more comfort.

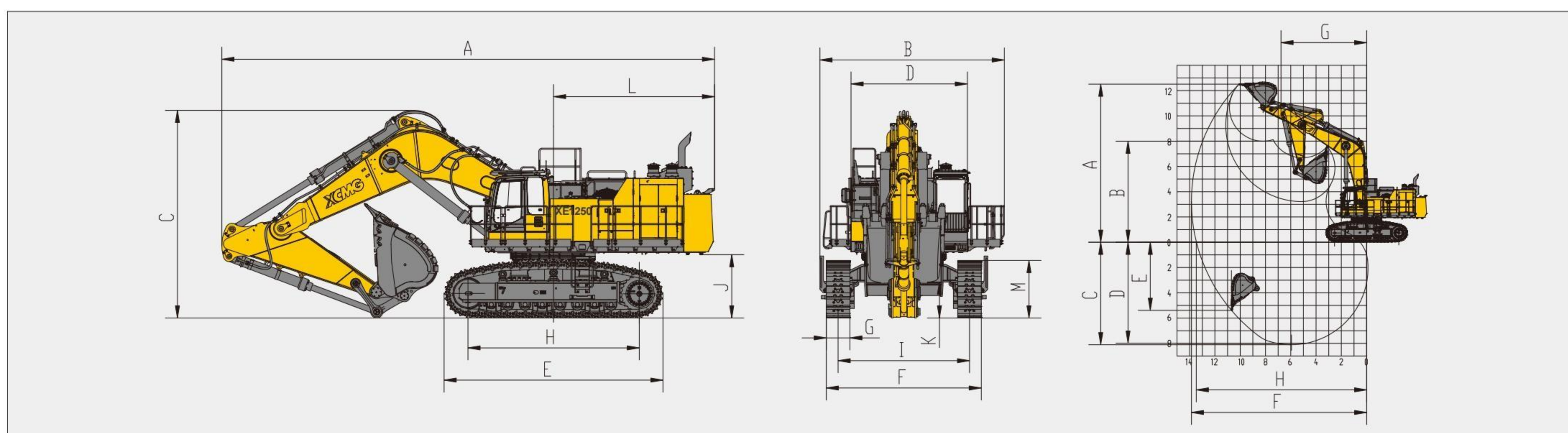


# 便捷的维护保养

## Convenient repair and maintenance

- 设计中检修通道，维护检修更方便。  
Central maintenance passage is designed to make the repair and maintenance more convenient.
- 设计独立的泵室和独立的动力舱，维护保养更便捷。  
Individual pump chamber and engine compartment is designed to make the repair and maintenance more convenient.
- 可选配安装防护栏、灭火器，防止安全事故的发生。  
Protective guard and extinguisher can be installed optionally to prevent the occurrence of safety accident.
- 可选装燃油快速加注系统，方便燃油加注。  
Optional fast fuel filling system to facilitate fuel filling.





## 主要参数/Main Specifications

型号 Model	单位 UOM	参数 Parameters
操作重量 Operation Weight	Kg	115000
铲斗容量 Bucket Capacity	m <sup>3</sup>	5.2-8.5

### 发动机 Engine

发动机型号 Model	/	QSK23/QSK23T4F
直喷 Direct injection	/	√
4冲程 Four strokes	/	√
水冷 Water cooling	/	√
涡轮增压 Turbo-charging	/	√
空空中冷 Air to air intercooler	/	√
缸数 No. of cylinders	/	6
额定输出功率/转速 Output power	kw/rpm	567/1800
最大扭矩/转速 Torque/Speed	N.m	3468/1350
排量 Displacement	L	23.15

### 主要性能 Main performance

行驶速度(高/低) Travel speed (H/L)	km/h	3.5/2.4
回转速度 Rotating speed	r/min	5.2
爬坡能力 Gradeability	°	30
接地比压 Ground pressure	kPa	143
铲斗挖掘力 Bucket digging force	kN	597
斗杆挖掘力 Arm crowd force	kN	470
最大牵引力 Maximum traction	kN	746

### 液压系统 Hydraulic system

主泵 Main pump	/	3个柱塞泵 Plunger Pumps
主泵额定流量 Rated flow of main pump	L/min	3 × 531
主安全阀压力 Pressure of prime valve	MPa	34.3
行走系统压力 Pressure of travel system	MPa	34.3
回转系统压力 Pressure of swing system	MPa	28
先导系统压力 Pressure of pilot system	MPa	3.9

### 油类容量 Oil capacity

燃油箱容量 Fuel tank capacity	L	1460
液压油箱容量 Hydraulic tank capacity	L	640
发动机油容量 Engine oil capacity	L	75/95

型号 Model	单位 UOM	参数 Parameters
----------	--------	---------------

### 外形尺寸 Outline dimension

A 总长 Overall length	mm	14610
B 总宽 Overall width	mm	5470
C 总高 Overall height	mm	6160
D 转台宽度 Width of platform	mm	3450
E 履带长度 Length of crawler	mm	6500
F 底盘总宽 Overall width of chassis	mm	4600
G 标准履带板宽度 Width of crawler	mm	700
H 履带轴距 Track length on ground	mm	5090
I 轨距 Crawler gauge	mm	3900
J 配重离地间隙 Clearance under counterweight	mm	1880
K 最低离地间隙 Min. ground clearance	mm	1070
L 尾部回转半径 Min. tail swing radius	mm	4850
M 履带高度 Height of crawler	mm	1710

### 作业范围 Working scope

A 最大挖掘高度 Max. digging height	mm	12500
B 最大卸载高度 Max. dumping height	mm	7990
C 最大挖掘深度 Max. digging depth	mm	8110
D 8英尺水平面挖掘深度 8-inch horizontal plane digging depth	mm	7980
E 最大垂直挖掘深度 Max. vertical wall digging depth	mm	5390
F 最大挖掘半径 Max. digging reach	mm	13860
G 最小回转半径 Min. swing radius	mm	6770
H 最大地面挖掘半径 Max. ground digging reach	mm	13470

### 标配 Standard

动臂长度 Length of boom	mm	7550
斗杆长度 Length of arm	mm	3400
铲斗容量 Bucket capacity	m <sup>3</sup>	7

### 选配 Option

动臂长度 Length of boom	mm	9000
斗杆长度 Length of arm	mm	3600
铲斗容量 Bucket capacity	m <sup>3</sup>	5.2(岩石Rock) 6.0(岩石Rock) 7.7(土方Sol) 8.5(土方Sol)

材料和规格可随时改变，恕不另行通知  
Materials and specifications may be changed at any time without prior notice